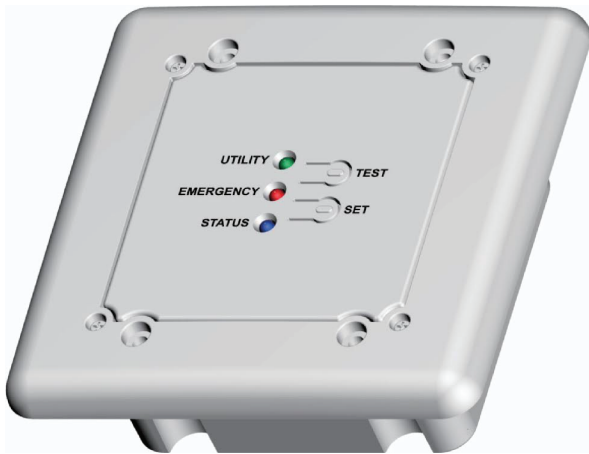


**For 2 and 3 wire Line Voltage and 0-10V Dimmable Loads**

Project: \_\_\_\_\_

Model No.: \_\_\_\_\_

Comments: \_\_\_\_\_



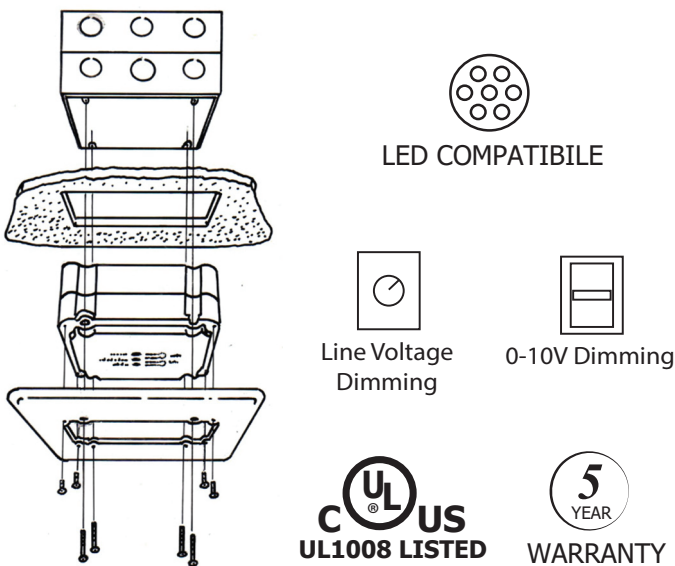
**APPLICATION**

The Model BL2-EPC-D-F-ATS is a single zone, silent emergency transfer control with universal dimming capability. It can be used with 2 and 3-wire line voltage dimming systems, as well as 0-10V, DALI, and Lutron EcoSystem.

The BL2-EPC-D-F-ATS allows emergency lighting to be dimmed with regular lighting during normal times. In the event of a utility power interruption, the BL2-EPC-D-F-ATS will automatically transfer designated emergency fixtures from the dimming control to the emergency power source and bring them to full brightness, regardless of whether the dimming system is in operation or turned off.

Applications of the BL2-EPC-D-F-ATS include designated dimmable emergency luminaires in public places such as auditoriums, restaurants, conference rooms, theaters, and classrooms.

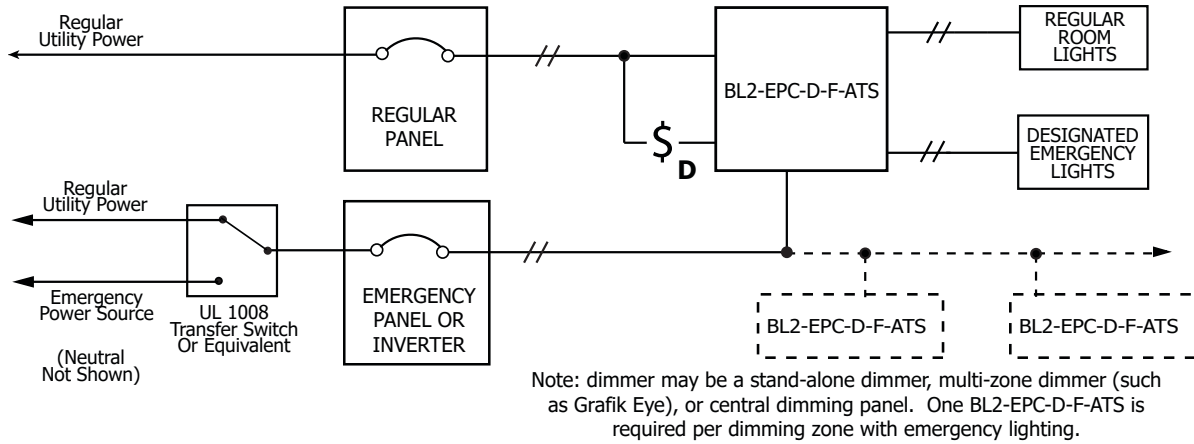
**MOUNTING**



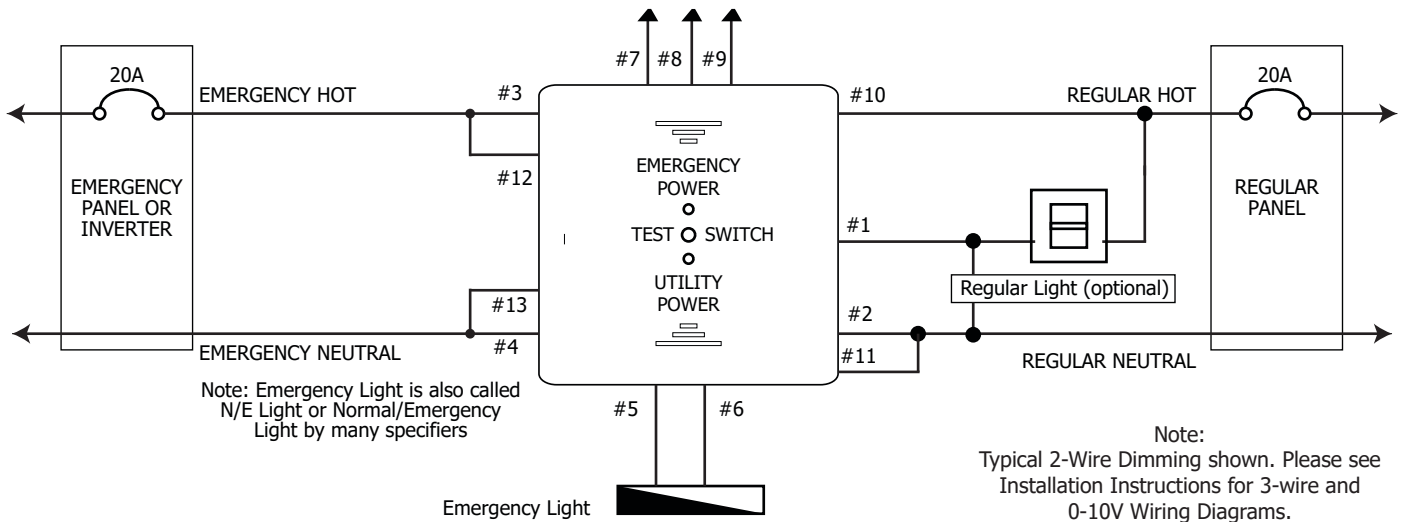
**FEATURES**

- Slim, attractive universal mount enclosure allows flush, surface, panel, and box mounting.
- Utility & Emergency Power Indicator LED's
- Integral front mounted test switch
- Includes field-selectable Automatic Testing & Fire Alarm Interface options
- Triple Interlock (electrical, mechanical, and time delay) maximizes safety and reliability of **EPC-D-F-ATS**, by eliminating arcing and the potential for phase to phase shorts between separate power sources during transfer.
- Oversized 50A rated relay contacts allow high inrush loads to be used safely and reliably. Tested at over 5000 cycles.
- Works with both inverter and generator systems, normally-on and normally-off type.

# SINGLE LINE DRAWING



# WIRING DIAGRAM



# SPECIFICATIONS

<b>ELECTRICAL</b>	MODEL NO.	EPC-D-F-ATS	<b>MECHANICAL</b>	MOUNTING	4-11/16" Back-up Box, no plaster ring required
	SENSING INPUT	120V-277V		RATING	UL94V-0
	LOAD RATING	120V - 277V (16A)		SHIPPING WEIGHT/ COLOR	18 oz. / White
	BALLAST LOAD RATING	16A Magnetic/16A Electronic		TEMPERATURE	32°F - 140°F (0°C - 60°C)
	INCANDESCENT LOAD	1920W (120V) / 4432W (277V)		FLUSH MOUNTED SIZE	6" x 6" x 0.5"
	WARRANTY	5 Year Replacement Warranty		BODY SIZE	4" x 4" x 2.3"

# ORDERING INFORMATION

## BL2-EPC-D-F-ATS

# ADDITIONAL RESOURCES

- Installation Sheet
- FAQ Sheet
- Alternative Wiring Sheet
- Terms & Conditions/Warranty Information

BL2 Systems LLC. 2555 Nicholson Street, San Leandro, CA 94577-4216  
 612-408-1550 quotes@BL2Systems.com  
 www.BL2Systems.com